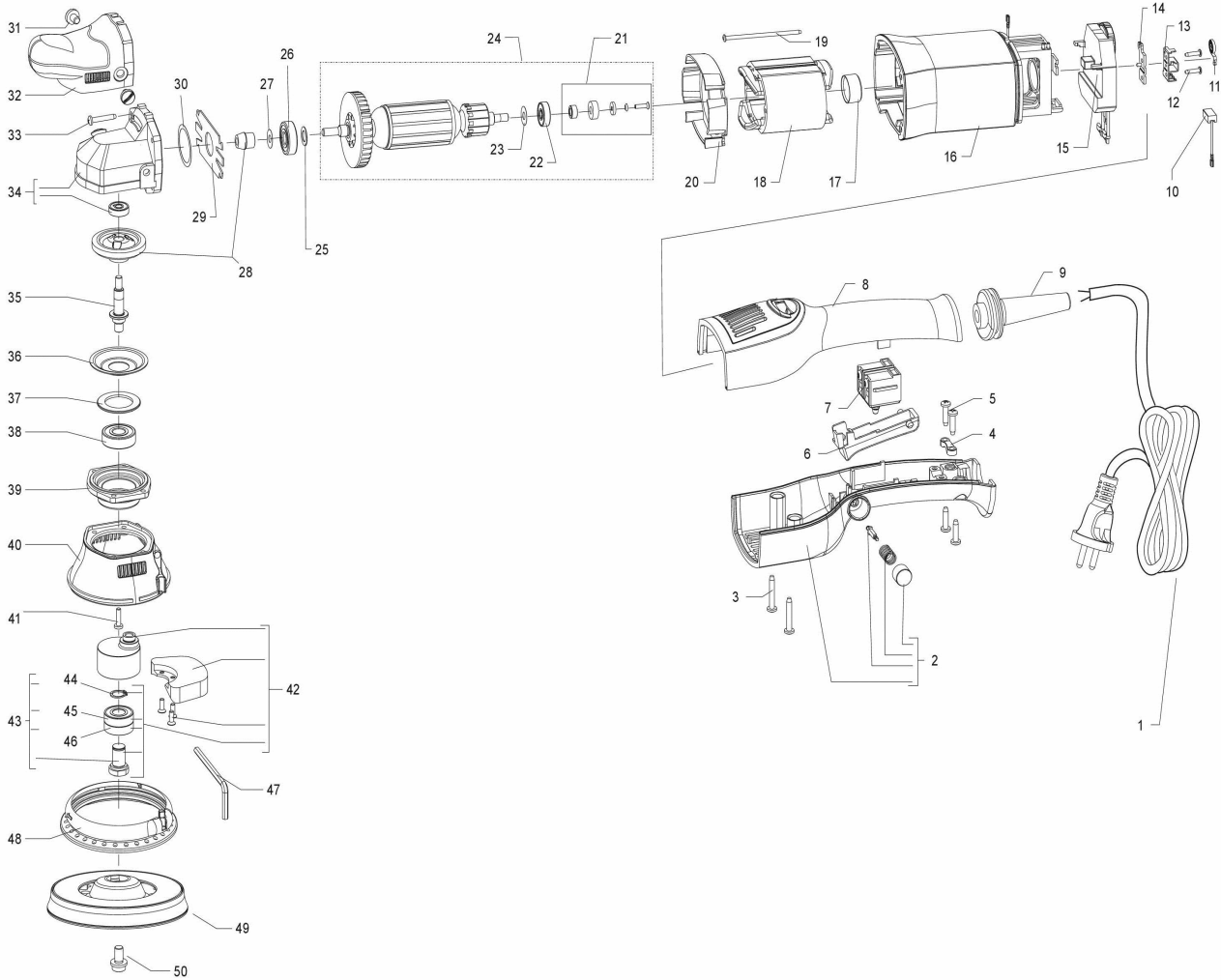


LUCIDATRICE ROTORBITALI  
RANDOM-ORBITAL POLISHER

LHR15ES



| ID  | ITEM           | DESCRIPTION  |
|-----|----------------|--|
| 001 | 9C2X0,8VUS9    | CAVO 2x18AWG spina AMERICANA polarizzata R21 9mt.        |
| 001 | 9C2X1,0N489    | CABLE 2X1 (plug Schuko d4,8) mt.9 H07RN-F FLEX           |
| 001 | 9C2X1,0NGB4FOR | CABLE 2X1 (plug UK) with fork H07RN-F CENTRAL METAL PLUG |
| 001 | 9C2X1,0R404FOR | CABLE 2X1 (plug D4) H07RN-F mt.4 with fork (only Swiss)  |
| 001 | 9C2X1,0RAR4FOR | CABLE 2X1 (plug Argentina) mt.4 with fork                |
| 001 | 9C2X1,25VJA9   | CABLE 2x1,25 (plug JAPAN) mt.9                           |
| 001 | 9C2X1,0NAU9FOR | CABLE 2X1 (plug Australia) H07RN-F mt.9                  |
| 002 | 44.285/C       | COMPLETE LOWER HANDLE (blocco a/c)                       |
| 002 | 44.285/UL      | IMPUGNATURA INF. LHR21E materiale UL                     |
| 003 | 9.552          | SCREW 3,9x25 ( 7x1" ) T.C.C.                             |
| 004 | 442.55         | CABLE CLAMP  |
| 005 | 9.660          | SCREW 3,9x16 ( 7x5/8" ) T.C.C.                           |
| 006 | 38.286         | SWITCH BUTTON (clamp open/close)                         |
| 007 | 45.284/UL      | SWITCH 8(8) max 250V                                     |
| 007 | 45.284         | SWITCH 8(8) max 250V                                     |
| 008 | 441.285/E/UL   | UPPER HANDEL FOR ELECTRONICS (UL material)               |
| 008 | 441.285/E      | UPPER HANDEL FOR ELECTRONICS                             |
| 009 | 42.290         | CABLE SLEEVE SS31TE                                      |
| 010 | 47.105/10      | BLISTER WITH 10 PC. BRUSHES BA215                        |
| 011 | 461.105        | SPRING BRUSH HOLDER BA21 BURNISHED                       |
| 012 | 9.551          | SCREW 2,9x13 ( 4x1/2" ) T.C.C.                           |
| 013 | 46.105         | BRUSH HOLDER BA215-LH18ENS                               |
| 014 | 462.105        | BRUSH HOLDER PLATE                                       |
| 015 | 400.246/C      | ELECTRONIC MODULE  |
| 015 | 400.246/60HZ/C | ELECTRONIC MODULE  |
| 016 | 31.284/UL      | MOTOR BODY(UL material)                                  |
| 016 | 31.284         | MOTOR BODY   |
| 017 | 268.105        | BEARING CAP  |
| 018 | 2.245/120S     | STATOR (V.120)   |
| 018 | 2.245/230S     | STATOR (V.230)   |
| 018 | 2.245/100S     | STATOR (V.100)   |
| 019 | 9.787          | SCREW 2,9x70 T.C.C.                                      |
| 020 | 73.284         | AIR BULKHEAD   |
| 021 | 405.322/C      | COMPLETE MAGNET  |
| 022 | 9.14/10        | BEARING 626ZZ1MC3E J NS7SQ                               |
| 023 | 9.318          | STEEL WASHER d15 x 6,1 s 0,15                            |
| 024 | 1.245/230S/C   | ROTOR (V.230)  |
| 024 | 1.245/120S/C   | ROTOR (ARMATURE) 120V                                    |
| 024 | 1.245/100S/C   | ROTOR (V.100-110)  |
| 025 | 9.298          | STEEL WASHER d15 x 9,1 s 0,5                             |
| 026 | 9.187/10       | BEARING 629 2BRS R66 FA227                               |
| 027 | 9.318          | STEEL WASHER d15 x 6,1 s 0,15                            |
| 028 | 50.245         | GEAR SET   |
| 029 | 351.105        | MOTOR BODY LITTLE COVER                                  |
| 030 | 9.364          | STEEL WASHER d25,9x21 s 0,1                              |
| 031 | 812.91         | SCREW M8 x 15 T.C.IN NYLON A T.                          |
| 032 | 816.246/C      | COMPLETE FRONT HOUSING                                   |
| 033 | 9.679          | SCREW 4,2x25 ( 8x1" ) T.C.C.                             |
| 034 | 32.245/C/31    | GEAR BOX WITH BUTTON                                     |
| 035 | 51.245         | SPINDLE SHAFT  |
| 036 | 35.105         | FLANGE PLATE BA21-SL41                                   |
| 037 | 54.245         | SPACER GEAR BOX  |
| 038 | 9.184/10       | BEARING 6201 2BRS R66 FA227                              |
| 039 | 33.245         | FLANGE   |
| 040 | 65.245         | PROTECTIVE CAP   |
| 041 | 9.835          | SCREW M4 x 20 T.C.C. 8G BURNISHED +                      |

| ID  | ITEM       | DESCRIPTION                                |
|-----|------------|--|
| 042 | 58.196N/C  | ECCENTRIC ASSEMBLY                         |
| 043 | 56.245N/C  | ECCENTRIC SHAFT ASSEMBLY                   |
| 044 | 9.102      | SEEGER d 12 TIPO E DIN 471 CR3 PHOSPHATE   |
| 045 | 9.175/10   | BEARING 6001 ZZ-C3                         |
| 046 | 9.182/10   | BEARING 6001 DDWCM J NS75Z                 |
| 047 | 9.1395     | ALLEN SPANNER 5mm                          |
| 048 | 651.246    | RUBBER SHROUD LHR15                        |
| 049 | 980.027N/5 | BOX 5pcs Ø 125mm PAD VELCRO M8 FOR LHR15ES |
| 050 | 9.715      | SCREW M8 x 16 T.B. ZINC-PLATED WITH WASHER |